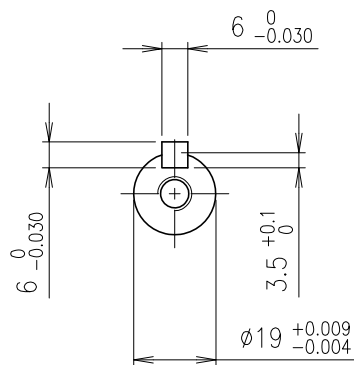
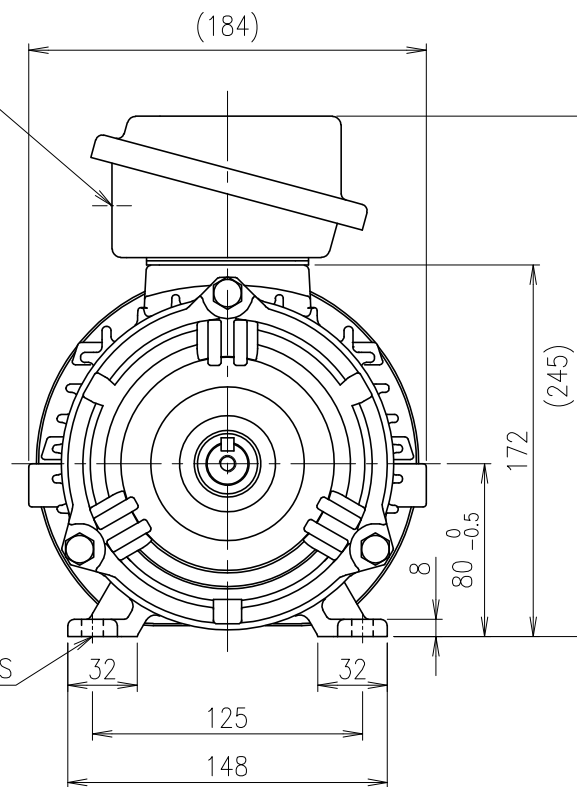


M8 TAP(DEEP 25)



*REF. TERMINAL BOX & COVER DRAWING



* SAM

<NOTE>

- 1) TOLERANCE OF HOLES CONFORMS TO H14 OF ISO 2768.
- 2) DIMENSIONS AND SHAPE COULD VARY UPON DESIGN CONCEPT (EXCEPT FOR IEC STANDARD).

		DWG NAME				저압 유도전동기 외형도			
						OUTLINE DIMENSIONS			
		DWG No.				ES1AS58901		UNIT	mm
								SCALE	1:3.5
No.	DATE	DESCRIPTION of REVISION				DESIGNED	CHECKED	REVIEWED	APPROVED
						2021.02.17	2021.02.17		2021.02.17
						KANG HYO PARK	JU HWAN SHIN		TAE HYUN KIM
A4(297x210mm)		FORM						DATE	2021-02-17
CE-14-0100-444		HYOSUNG HEAVY INDUSTRIES						REVISION No.	00
2013.11.20		TYPE				A.C MOTOR 80M		THIRD ANGLE PROJECTION	
						REF. No.	-		Ⓒ

이 도면상에 표시된 정보는 호성중공업(주)의 소유이며 당사의 사전 서면동의 없이 무단사용을 금합니다.