

HYOSUNG IE2 SUPREME MOTOR

Reliability 1st Induction Motor

Hyosung Supreme Motor has the robust structure with high quality materials and durable bearings.

Hyosung Supreme Motor can enhance the reliability of rotating machines and also save the maintenance cost.



Korea's No.1 electric motor manufacturer

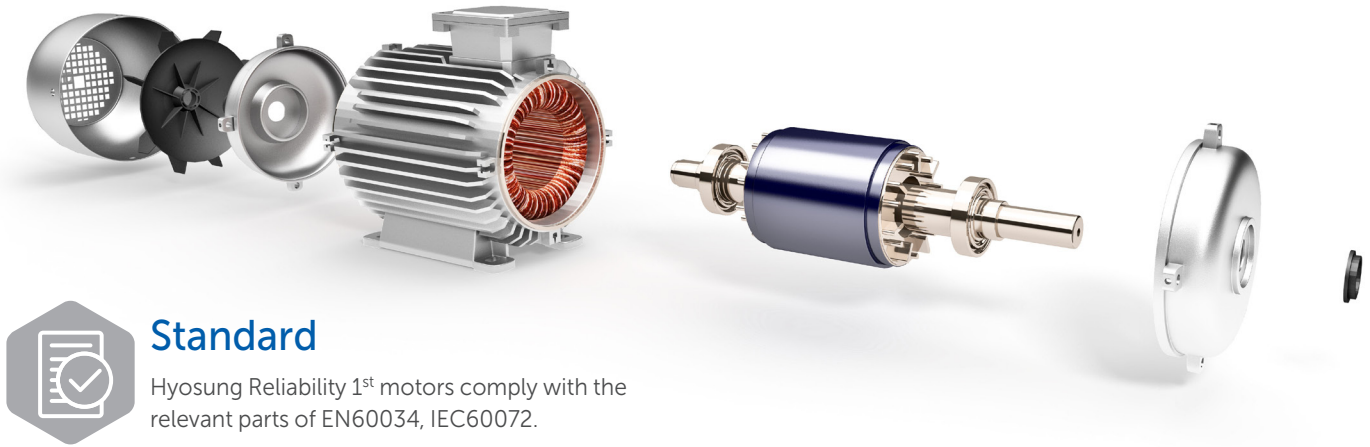
Hyosung is a professional manufacturer of electric motors, meeting IEC, NEMA, KS, and JIS standard. It has systemized manufacturing facilities to produce more than 40,000 units monthly such as low voltage to medium & high voltage, IE1 to IE4, explosion-proof, DC and synchronous motors, which are optimized for various purposes and customers.

Hyosung is also providing high-speed industrial generators, gears, geared motors and other industrial equipment. Hyosung's high-quality products are widely used in steel, oil & gas, cement, power, water treatment, agriculture, HVAC, and etc.

Always by your side

Hyosung works in a variety of industrial and technology areas that make your lifestyle more convenient and more comfortable such as spandex, tire codes, ATM, films, plastic, power transmission. You may not know us, but we are always working for you.

Special Features



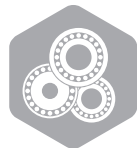
Standard

Hyosung Reliability 1st motors comply with the relevant parts of EN60034, IEC60072.



High-quality Insulation

The Hyosung motors windings are rated to class F (155 °C) with a class B (130 °C) temperature rise. Hyosung Ultra Insulation® technology protects windings and extends the life of motors.



Robust Bearing

Hyosung only uses the world's leading bearing brand (Japanese, German) that can sustain some axial & radial loads to have lower friction, noise and vibration.



Low Vibration

The combination of precision manufacturing, high-end components and quality control makes the low vibration.



Mounting

Foot Mounted(B3), Flange mounted(B5), Foot Mounted with Flange(B35) and other mounting can be supplied by optional requests.



Genuine IP55

Hyosung genuine IP55 enclosures that demonstrate almost complete protection from particles and a good level of protection against water.

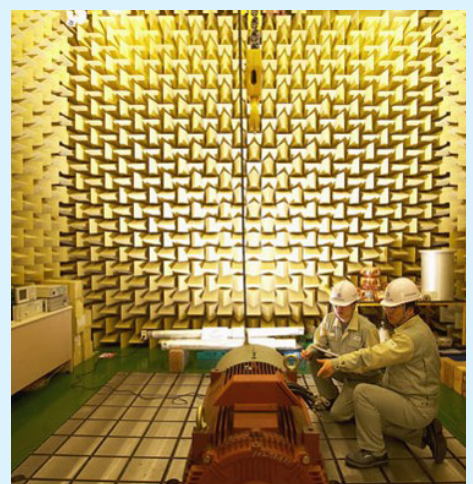


Coating

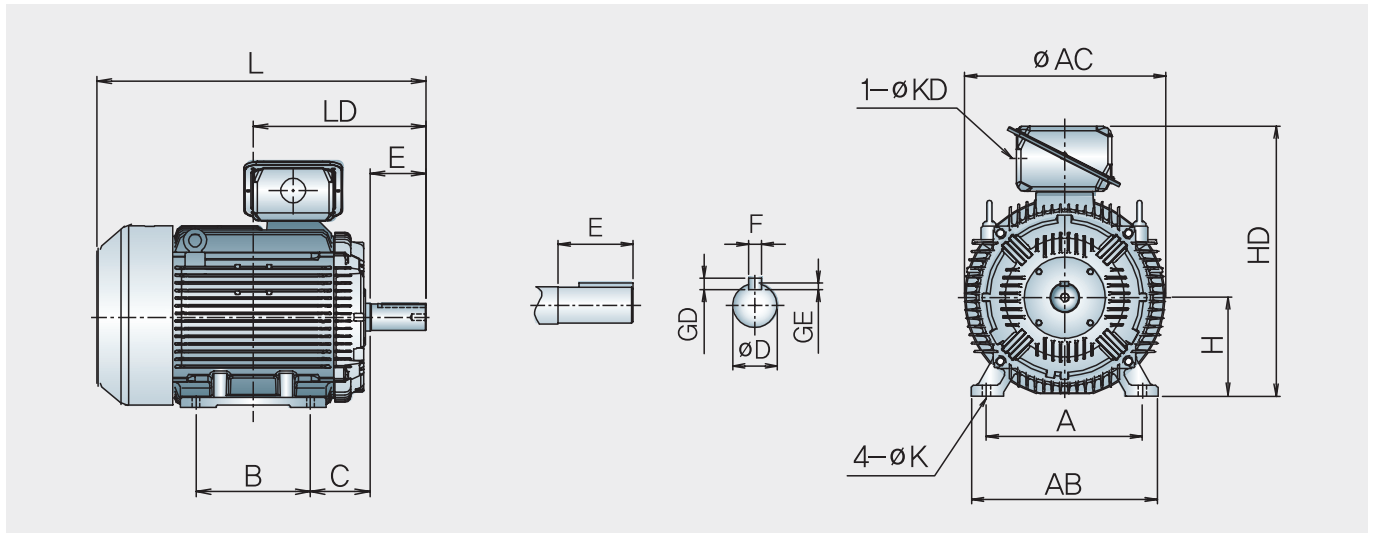
Hyosung paint color for motors is Munsell No. 0.5PB 3.2/4.4. Castings are coated with quality primer and urethane top coat. The dry film thickness of top coat is approximately 100 µm.

General Specifications

Item	Specification
Frame material	Cast Iron (Fan hood : Steel)
Enclosure	TEFC
IP	55
Voltage	Up to 2.2kW : 220/240V(Δ), 380/415V(Y) From 3.0kW : 380/415V(Δ), 660/690(Y)
Frequency	50Hz
Insulation	Class F
Temperature rising	Class B
Bearing brand	NSK (Japan), FAG (Germany)
Re-greasing	From 200 Fr
Thermistors	80 to 355 Fr. with 3 X Thermistors (Optional)
Paint	Munsell 0.5PB 3.2/4.4



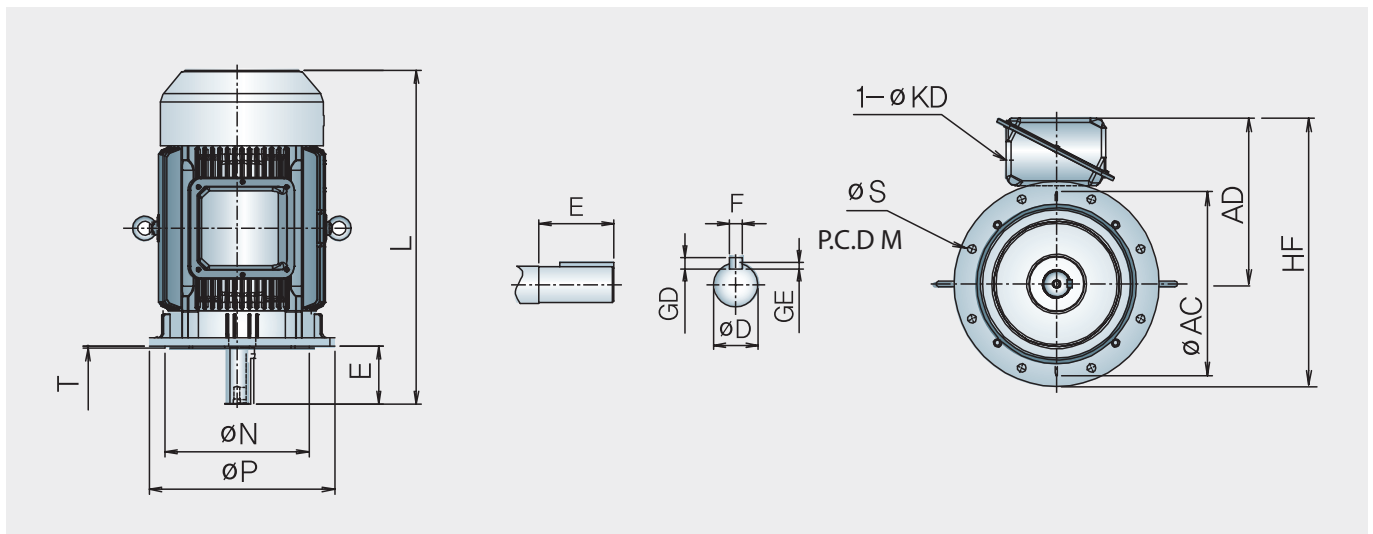
Outline Drawing & Dimension



Foot mounted type (B3)

Unit: mm

Output Power (kW)			Frame No.	General Dimension								Hole		Shaft Dimension				Bearing		
2P	4P	6P		A	AB	ϕAC	B	C	H	HD	L	ϕK	ϕKD	ϕD	E	F	GD	GE	DE	NDE
0.75 / 1.1	0.75	-	80M	125	150	174	100	50	80	254	273	10	1-M25	19	40	6	6	3.5	6204ZZ	6203ZZ
1.5	1.1	0.75	90S	140	167	199	100	56	90	274	315	10	1-M25	24	50	8	7	4	6205ZZ	6204ZZ
2.2	1.5	1.1	90L	140	167	199	125	56	90	274	335	10	1-M25	24	50	8	7	4	6205ZZ	6204ZZ
3	2.2 / 3	1.5	100L	160	196	220	140	63	100	295	372	12	1-M32	28	60	8	7	4	6206ZZ	6205ZZ
4	4	2.2	112M	190	226	244	140	70	112	315	377	12	1-M32	28	60	8	7	4	6206ZZ	6205ZZ
5.5 / 7.5	5.5	3	132S	216	264	284	140	89	132	355	480	12	1-M32	38	80	10	8	5	6208ZZ	6206ZZ
-	7.5	4 / 5.5	132M	216	264	284	178	89	132	355	480	12	1-M32	38	80	10	8	5	6208ZZ	6206ZZ
11 / 15	11	7.5	160M	254	311	326	210	108	160	465	585	15	1-M40	42	110	12	8	5	6309ZZ	6307ZZ
18.5	15	11	160L	254	311	326	254	108	160	455	630	15	1-M40	42	110	12	8	5	6309ZZ	6307ZZ
22	18.5	-	180M	279	353	374	241	121	180	505	655	15	1-M40	48	110	14	9	5.5	6311ZZ	6209ZZ
-	22	15	180L	279	353	374	279	121	180	520	685	15	1-M40	48	110	14	10	6	6212ZZ	6212ZZ
30 / 37	-	-	200L	318	382	404	305	133	200	550	780	19	1-M50	55	110	16	10	6	6212ZC3	6212ZC3
-	30	18.5 / 22	200L	318	382	404	305	133	200	550	780	19	1-M50	55	110	16	10	6	6313ZC3	6212ZC3
-	37	-	225S	356	426	457	286	149	225	685	825	19	1-M50	60	140	18	11	7	6312C3	6312C3
45	-	-	225M	356	435	457	311	149	225	685	820	19	1-M50	55	110	16	10	6	6312C3	6312C3
-	45	30	225M	356	435	457	311	149	225	685	845	19	1-M50	60	140	18	11	7	6314C3	6312C3
55	-	-	250M	406	500	512	349	168	250	730	910	24	1-M63	60	140	18	10	6	6313C3	6313C3
-	55	37	250M	406	500	512	349	168	250	730	940	24	1-M63	65	140	18	12	7.5	6313C3	6313C3
75	-	-	280S	457	550	578	368	190	280	810	1000	24	1-M63	65	140	18	10	6	6316C3	6316C3
-	75	45	280S	457	550	578	368	190	280	810	1060	24	1-M63	75	140	20	14	9	6319C3	6316C3
90	-	-	280M	457	550	578	419	190	280	810	1055	24	1-M63	65	140	18	10	6	6316C3	6316C3
-	90	55	280M	457	550	578	419	190	280	810	1115	24	1-M63	75	140	20	14	9	6319C3	6316C3
110	-	-	315S	508	628	578	406	216	315	845	1235	28	1-M63	65	140	18	12	7.5	6316C3	6316C3
-	110	75	315S	508	628	578	406	216	315	845	1265	28	1-M63	80	170	22	14	9	6222C3	6316C3
132	-	-	315M	508	628	578	457	216	315	845	1235	28	1-M63	65	140	18	12	7.5	6316C3	6316C3
-	132	90	315M	508	628	578	457	216	315	845	1265	28	1-M63	80	170	22	14	9	6222C3	6316C3
160 / 200	-	-	315L	508	628	578	508	216	315	1110	1695	28	1-M63	65	140	18	12	7.5	6316C3	6316C3
-	160 / 200	110 / 132	315L	508	628	578	508	216	315	1106	1515	28	1-M63	80	170	22	14	9	6222C3	6316C3
-	-	160 / 200	315L	508	628	578	508	216	315	1106	1515	28	1-M63	80	170	22	14	9	6222C3	6316C3



Flange mounted type (B5)

Unit: mm

Output Power (kW)			Frame No.	Flange Dimension							Hole		Shaft Dimension				Bearing		
2P	4P	6P		M	øN	øP	T	øAC	AD	L	øS	øKD	øD	E	F	GD	GE	DE	NDE
0.75 / 1.1	0.75	-	80M	165	130	200	3.5	174	165	299	12	1-M25	19	40	6	6	3.5	6204ZZ	6203ZZ
1.5	1.1	0.75	90S	165	130	200	3.5	199	175	335	12	1-M25	24	50	8	7	4	6205ZZ	6204ZZ
2.2	1.5	1.1	90L	165	130	200	3.5	199	175	367	12	1-M25	24	50	8	7	4	6205ZZ	6204ZZ
3	2.2 / 3	1.5	100L	215	180	250	4	220	199	406	15	1-M32	28	60	8	7	4	6206ZZ	6205ZZ
4	4	2.2	112M	215	180	250	4	244	216	394	15	1-M32	28	60	8	7	4	6206ZZ	6205ZZ
5.5 / 7.5	5.5	3	132S	265	230	300	4	284	235	459	15	1-M32	38	80	10	8	5	6208ZZ	6206ZZ
-	7.5	4 / 5.5	132M	265	230	300	4	284	235	497	15	1-M32	38	80	10	8	5	6208ZZ	6206ZZ
11 / 15	11	7.5	160M	300	250	350	5	334	300	584	19	1-M40	42	110	12	8	5	6309ZZ	6307ZZ
18.5	15	11	160L	300	250	350	5	334	300	628	19	1-M40	42	110	12	8	5	6309ZZ	6307ZZ
22	18.5	-	180M	300	250	350	5	364	325	654	19	1-M40	48	110	14	9	5.5	6311ZZ	6209ZZ
-	22	15	180L	300	250	350	5	374	316	706	19	1-M40	48	110	16	10	6	6212ZZ	6212ZZ
30 / 37	-	-	200L	350	300	400	5	404	370	780	19	1-M50	55	110	16	10	6	6212ZC3	6212ZC3
-	30	18.5 / 22	200L	350	300	400	5	404	370	780	19	1-M50	55	110	16	10	6	6313ZC3	6212ZC3
-	37	-	225S	400	350	450	5	457	395	795	19	1-M50	60	140	18	12	7.5	6312C3	6312C3
45	-	-	225M	400	350	450	5	457	395	815	19	1-M50	55	110	16	10	6	6312C3	6312C3
-	45	30	225M	400	350	450	5	457	395	815	19	1-M50	60	140	18	12	7.5	6314C3	6312C3
55	-	-	250M	500	450	550	5	512	450	910	19	1-M63	60	140	18	12	7.5	6313C3	6313C3
-	55	37	250M	500	450	550	5	512	450	940	19	1-M63	65	140	18	12	7.5	6313C3	6313C3
75	-	-	280S	500	450	550	5	578	520	1000	19	1-M63	65	140	18	12	7.5	6316C3	6316C3
-	75	45	280S	500	450	550	5	578	520	1060	19	1-M63	75	140	20	12	7.5	6319C3	6316C3
90	-	-	280M	500	450	550	5	578	520	1055	19	1-M63	65	140	18	12	7.5	6316C3	6316C3
-	90	55	280M	500	450	550	5	578	520	1115	19	1-M63	75	140	20	12	7.5	6319C3	6316C3
110	-	-	315S	600	550	660	6	578	520	1235	24	1-M63	65	140	18	12	7.5	6316C3	6316C3
-	110	75	315S	600	550	660	6	578	520	1265	24	1-M63	80	170	22	14	9	6222C3	6316C3
132	-	-	315M	600	550	660	6	578	520	1235	24	1-M63	65	140	18	12	7.5	6316C3	6316C3
-	132	90	315M	600	550	660	6	578	520	1265	24	1-M63	90	170	25	14	9	6222C3	6316C3
160 / 200	-	-	315L	600	550	660	6	660	795	1695	24	1-M63	65	140	18	12	7.5	6316C3	6316C3
-	160 / 200	110 / 132	315L	600	550	660	6	660	795	1515	24	1-M63	90	170	25	14	9	6222C3	6316C3
-	-	160 / 200	315L	600	550	660	6	660	795	1515	24	1-M63	90	170	25	14	9	6222C3	6316C3

HYOSUNG Offices in Asia



HYOSUNG CORPORATION

Power & Industrial Systems Performance Group

Worldwide Operations

Seoul - Headquarters

Tel. +82 2 707 7000
119, Mapo-daero, Mapo-gu, Seoul, Korea 121-720

Kuala Lumpur Office

Tel. +60 3 2031 2416
Suite 24-04, Level 24 Wisma Goldhill, No. 67,
Jalan Raja Chulan, 50200 Kuala Lumpur, Malaysia

Bangkok Office

Tel. +66 2 653 2031
Room No. 1404, 14th Floor One Pacific Place
142 Sukhumvit Road, Bangkok 10110, Thailand

Singapore - Hyosung Singapore Pte, Ltd.

Tel. +656 337 2079
250, North Bridge Road # 16-03,
Raffles City Tower, Singapore 179101

Jakarta Office

Tel. +62 21 526 6475
Citi Bank Tower 24/F, Plaza Bapindo Jl,
Jendral Sudirman Kav, 54-55 Jakarta 12920, Indonesia

Please contact :