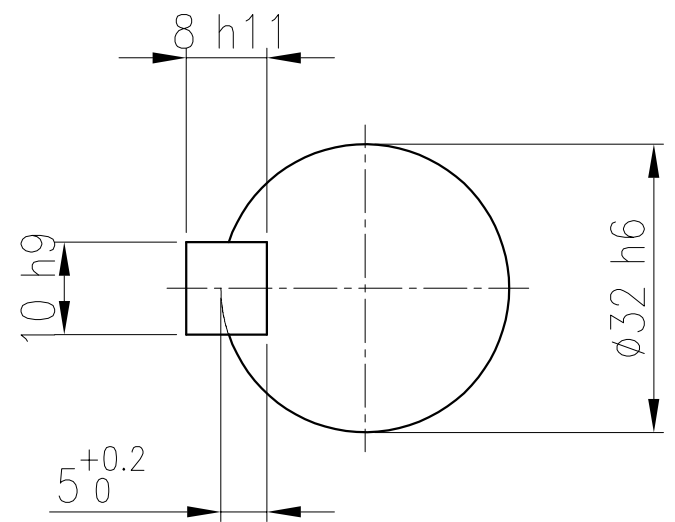
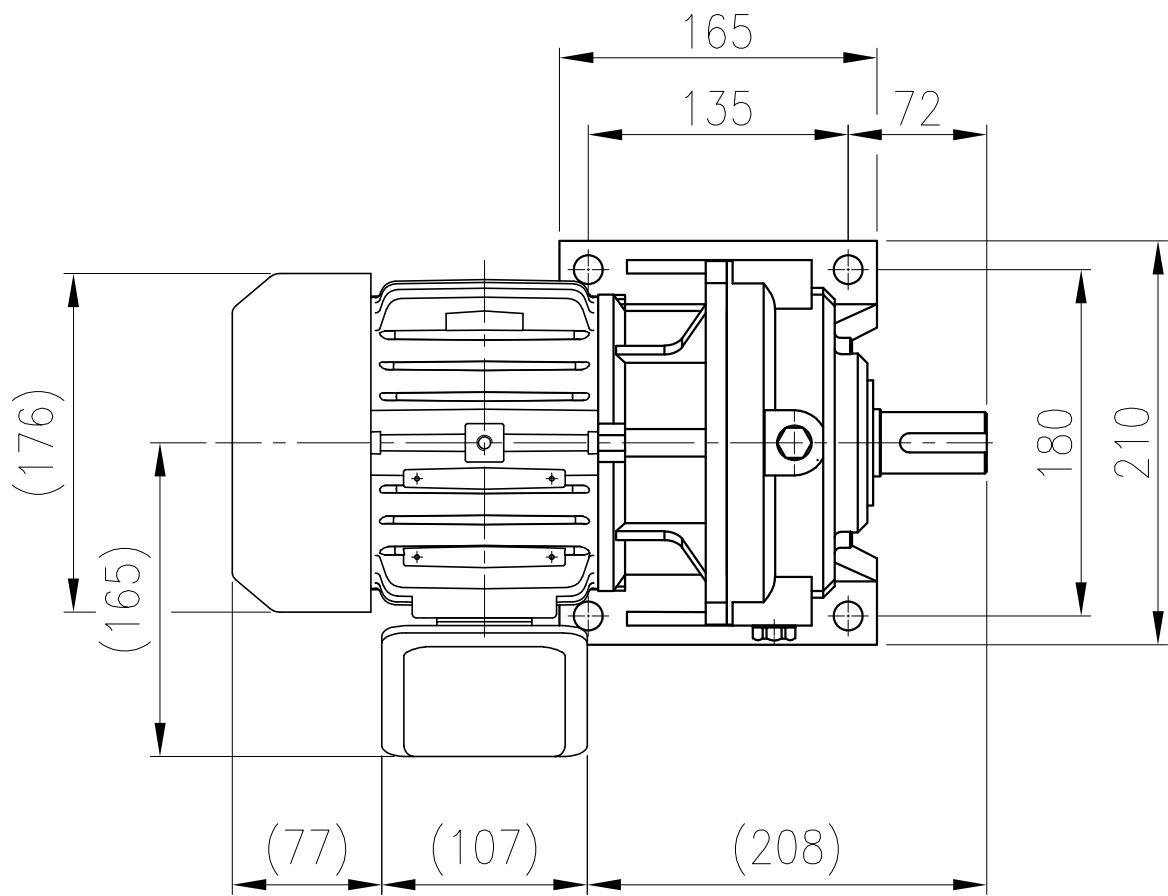
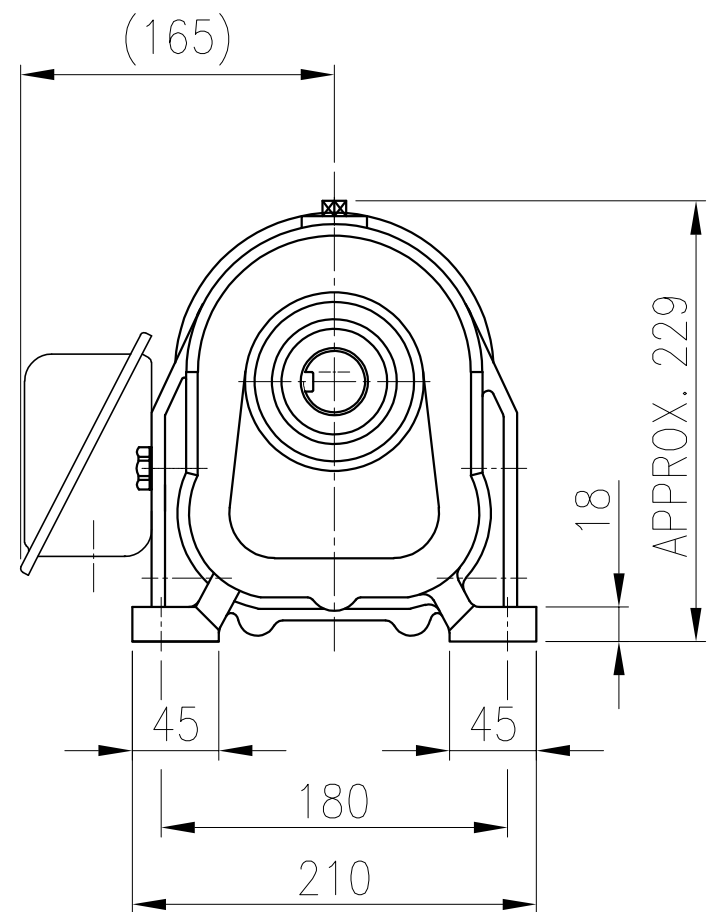
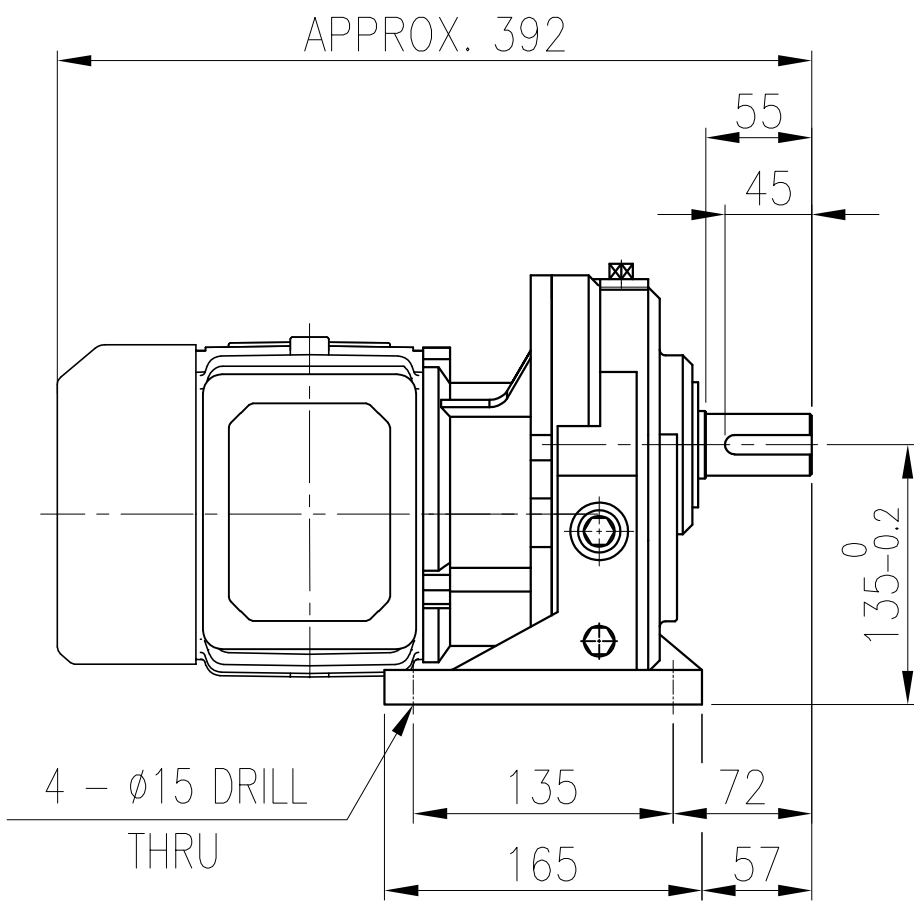


1	2	3	4	5				
No.	NAME	MATERIAL	DWG/MATL No.	CODE	Q'TY	SIZE	WEIGHT	REMARK
					0			



OUTPUT SHAFT
KEY 10 x 8 x 40



OIL SEAL		2ND PINION	6202ZZ	6202ZZ	GREASE : NLGI(EP)00
MOTOR SHAFT	D(M) 20 x 32 x 8	3RD PINION	-	-	ABOUT 0.31 kg
OUTPUT SHAFT	D(M) 35 x 55 x 11	OUTPUT SHAFT	PM2525	6207ZZ	WEIGHT 41.09 kg

FORM		DWG NAME		외형도 OUTLINE DIMENSION				
A4(210X297mm)		DWG No.		EK2D007662H001	UNIT mm			
CE-14-0100-4A4 2013.11.20		SCALE		1:1	DATE 2019-01-21			
No.	DATE	DESCRIPTION of REVISION	DESIGNED	CHECKED	REVIEWED	APPROVED	DATE	2019-01-21
			2019.01.21	2019.01.21	2019.01.21	2019.01.21	REVISION No.	00
HYOSUNG HEAVY INDUSTRIES		하슬기		문병선	박희성	홍원철	THIRD ANGLE PROJECTION	
TYPE		13Fr(0.75kW)_5~30:1_프리미엄		REF. No.		-		(A)

이 도면상에 표시된 정보는 호성중공업(주)의 소유이며 당사의 사전 서면동의 없이 무단사용을 금합니다.