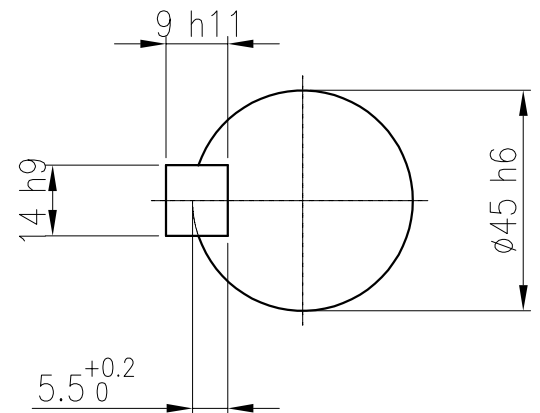
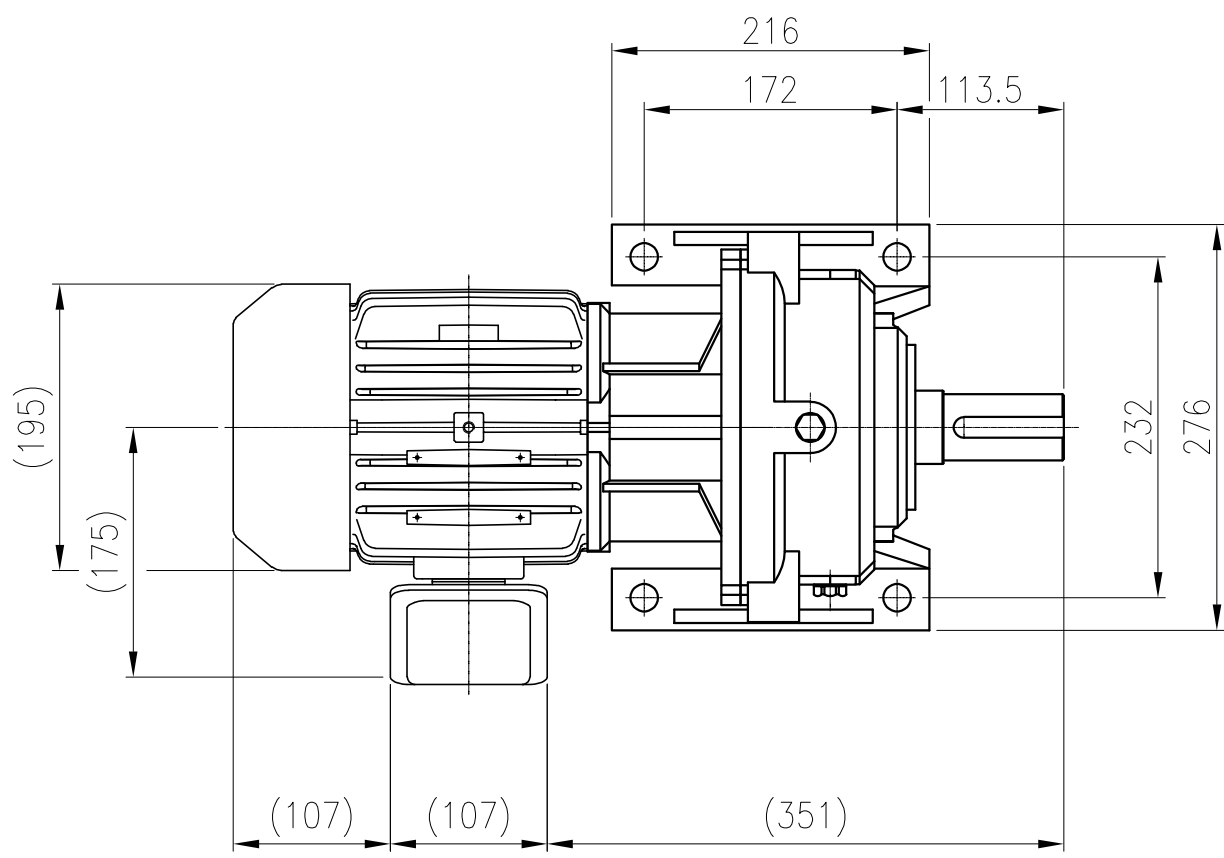
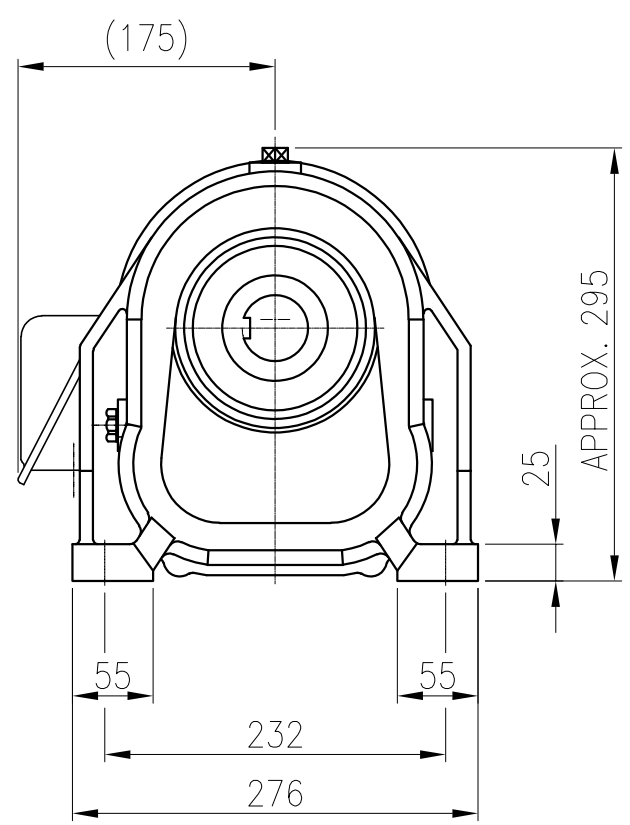
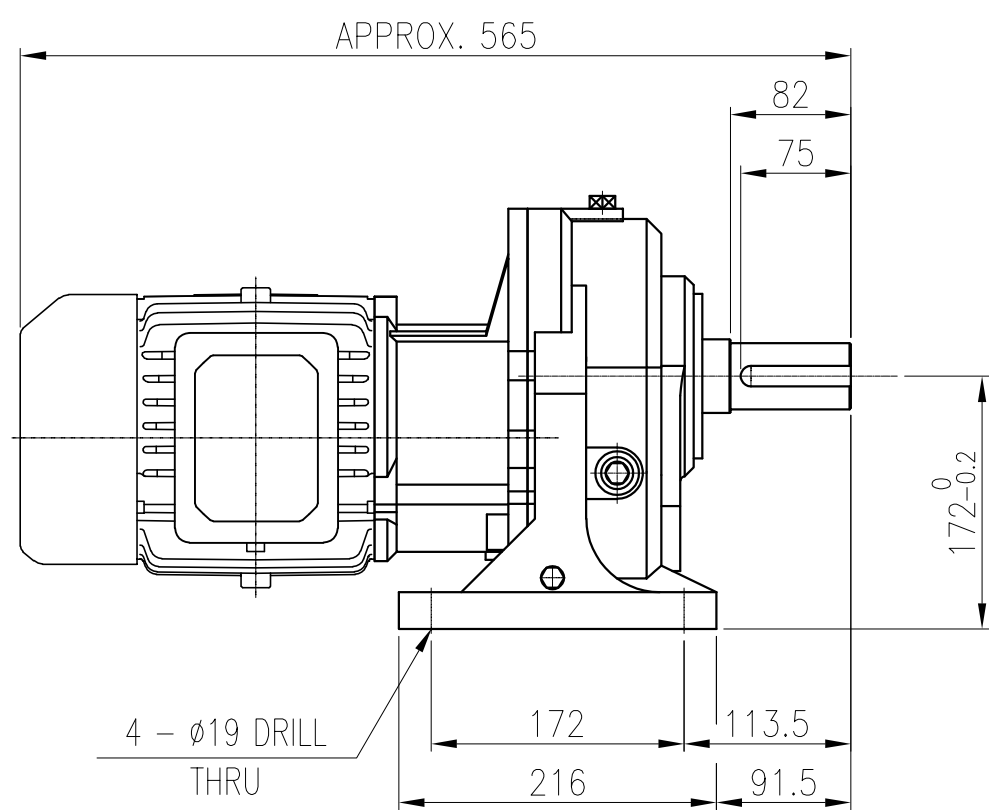


1	2	3	4	5
No.	NAME	MATERIAL	DWG/MATL No.	CODE
				Q'TY
				0
				SIZE
				WEIGHT
				REMARK



OUTPUT SHAFT
KEY 14 x 9 x 67



		BEARING			
OIL SEAL		2ND PINION	6204ZZ	6203ZZ	GREASE : NLGI(EP)00
MOTOR SHAFT	D(M) 25 x 38 x 8	3RD PINION	6205ZZ	6305ZZ	ABOUT 0.77 kg
OUTPUT SHAFT	D(M) 50 x 72 x 12	OUTPUT SHAFT	PM3530	6310ZZ	WEIGHT 62.71 Kg

		DWG NAME				외형도 OUTLINE DIMENSION	
		DWG No. EK2D007667H001				UNIT	mm
						SCALE	1:1
No.	DATE	DESCRIPTION of REVISION				DESIGNED	CHECKED
						2019.01.21	2019.01.21
						REVIEWED	APPROVED
		TYPE 17Fr(1.5kW)_40~120:1_프리미엄				2019.01.21	2019.01.21
		REF. No. -				DATE	2019-01-21
						REVISION No.	00
						THIRD ANGLE PROJECTION	
						(A)	

이 도면상에 표시된 정보는 호성중공업(주)의 소유이며 당사의 사전 서면동의 없이 무단사용을 금합니다.